

**NKI28/30-XL**

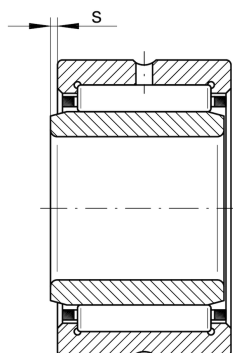
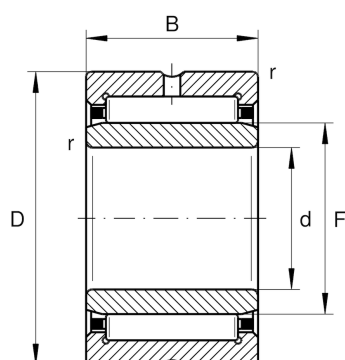
Needle roller bearing

Schaeffler ID:  
0507621760000

Needle roller bearings NKI, light series

X-life

## Technical information

**Main Dimensions & Performance Data**

d	28 mm	Bore diameter
D	42 mm	Outside diameter
B	30 mm	Width
$C_r$	39,000 N	Basic dynamic load rating, radial
$C_{0r}$	63,000 N	Basic static load rating, radial
$C_{ur}$	11,900 N	Fatigue load limit, radial
$n_G$	14,000 1/min	Limiting speed
$n_{gr}$	7,600 1/min	Reference speed
	0.154 kg	Weight

**Dimensions**

F	32 mm	Raceway diameter inner ring
$r_{min}$	0.3 mm	Minimum chamfer dimension
s	1.5 mm	Axial displacement

**Temperature range**

$T_{min}$	-30 °C	Operating temperature min.
$T_{max}$	120 °C	Operating temperature max.